

# Technical Drawing of:

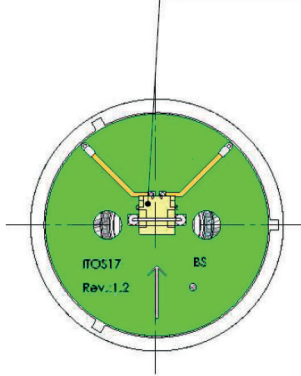
## O<sub>2</sub> - Diving Sensor D-40

### TECHNICAL DRAWING

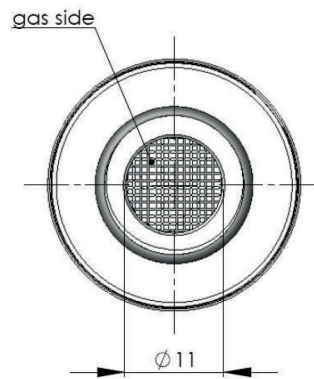
Sensor	Part number	Color		Electrical Pin Assignment	
		Housing	Threaded Ring	Pin 1	Pin 2
D-40	410155	white	white	minus (-)	plus (+)

**Top View**

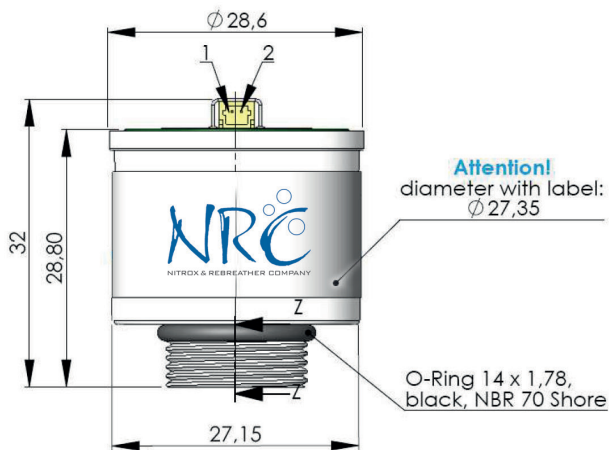
Electrical Connector: Shrouded Header with 2 Circuits  
SM02B-SRSS-TB, Type JST



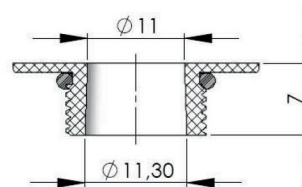
**Bottom View**



**Front View**



**Section View Z-Z**



\*thread is similar to M16x1 and 5/8-24 UNEF

Tolerance Diameter  $\pm 0,3\text{mm}$ , Tolerance Linear  $\pm 0,5\text{mm}$ , Dimension unit: metric

[www.nrc-international.com](http://www.nrc-international.com)



**NRC International GmbH**

Stentenberg Str. 63  
D-51702 Bergneustadt

Phone +49(0)2261-500414

Fax +49(0)2261-500415

info@nrc-international.com