

Technical Drawing of:

O₂ - Diving Sensors

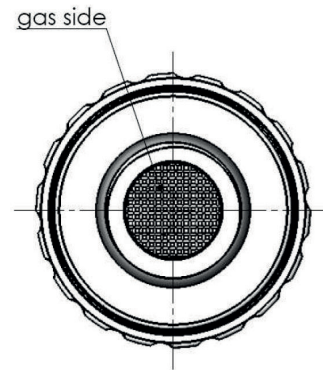
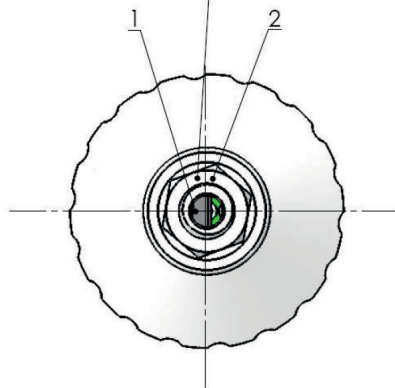
TECHNICAL DRAWING

Sensor	Part number	Color of Housing	Electrical Pin Assignment	
			Pin 1	Pin 2
D-01	410051	white	minus (-)	plus (+)
D-01H	410051	white	minus (-)	plus (+)

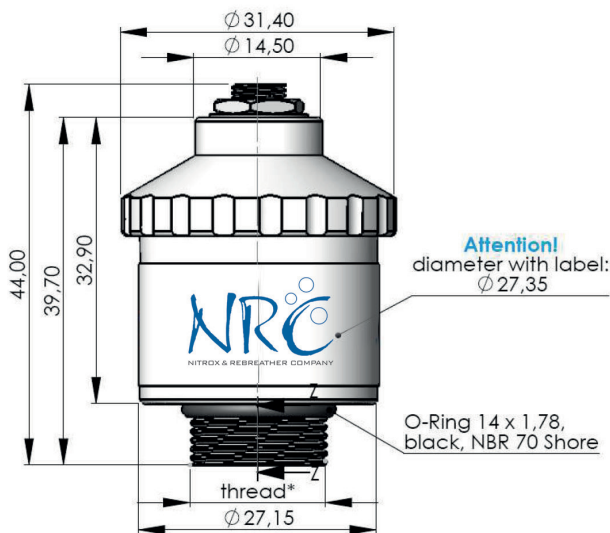
Top View

Bottom View

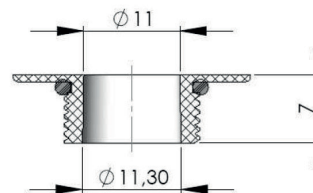
Electrical Connector: Tini Jax Miniature Phone Jack (No. 41), 3.5mm / .141", Type Switchcraft, Inc.



Front View



Section View Z-Z



*thread is similar to M16x1 and 5/8-24 UNEF
Tolerance Diameter ± 0,3mm, Tolerance Linear ± 0,5mm, Dimension unit: metric

www.nrc-international.com



NRC International GmbH

Stentenberg Str. 63
D-51702 Bergneustadt

Phone +49(0)2261-500414
Fax +49(0)2261-500415

info@nrc-international.com