

Technical Drawing of:

O₂ - Diving Sensor D-03

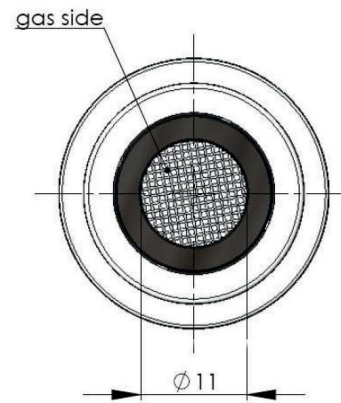
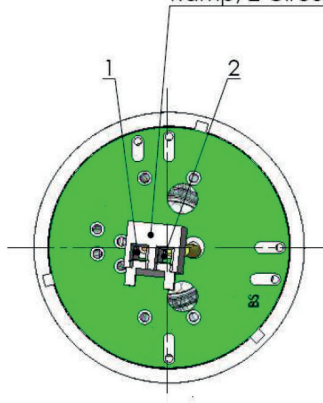
TECHNICAL DRAWING

Sensor	Part number	Color of Housing	Electrical Pin Assignment	
			Pin 1	Pin 2
D-03	410053	white	minus (-)	plus (+)

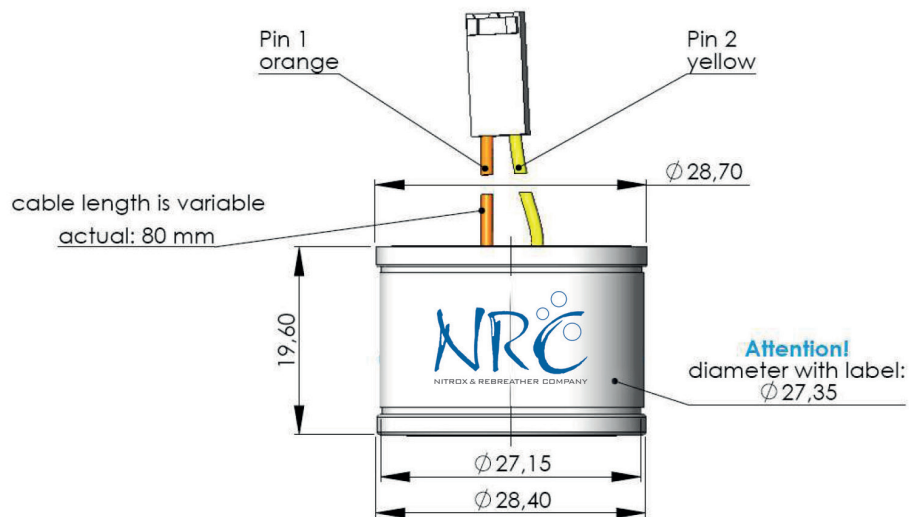
Top View

Bottom View

Electrical Connector: KK Interconnect Solutions Friction Ramp, 2 Circuits, Type Molex



Front View



Tolerance Diameter $\pm 0,3\text{mm}$, Tolerance Linear $\pm 0,5\text{mm}$, Dimension unit: metric

www.nrc-international.com



NRC International GmbH

Stentenberg Str. 63
D-51702 Bergneustadt

Phone +49(0)2261-500414
Fax +49(0)2261-500415

info@nrc-international.com