

# Technical Drawing of:

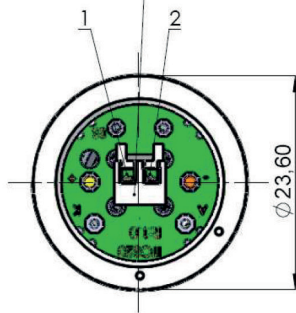
## O<sub>2</sub> - Diving Sensor D-11

### TECHNICAL DRAWING

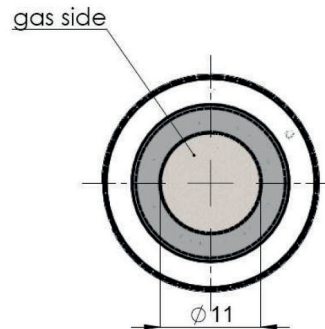
Sensor	Part number	Color of Housing	Electrical Pin Assignment	
			Pin 1	Pin 2
D-11K	410061	white	minus (-)	plus (+)

Top View

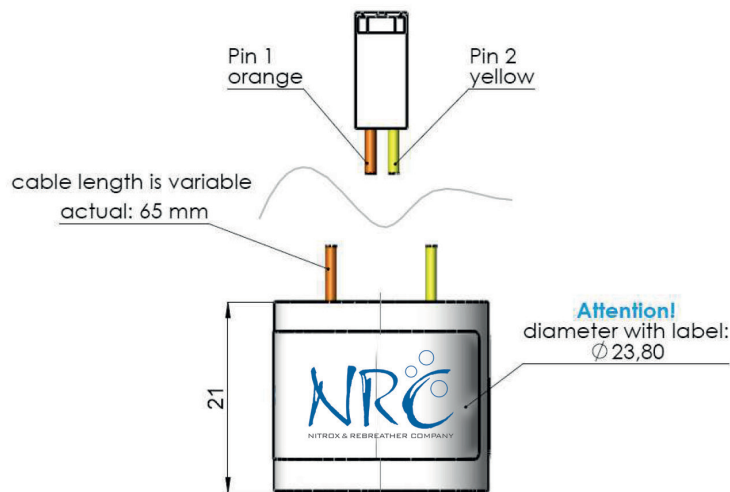
Electrical Connector: KK Interconnect Solutions Friction Ramp, 2 Circuits, Type Molex



Bottom View



Front View



Tolerance Diameter  $\pm 0,3\text{mm}$ , Tolerance Linear  $\pm 0,5\text{mm}$ , Dimension unit: metric

[www.nrc-international.com](http://www.nrc-international.com)



NRC International GmbH

Stentenberg Str. 63  
D-51702 Bergneustadt

Phone +49(0)2261-500414  
Fax +49(0)2261-500415

[info@nrc-international.com](mailto:info@nrc-international.com)