

Technical Drawing of:

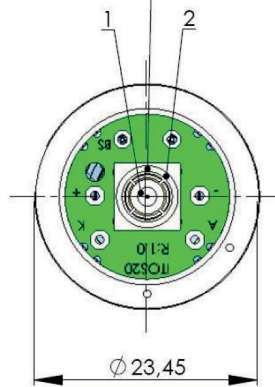
O₂ - Diving Sensor D-11k

TECHNICAL DRAWING

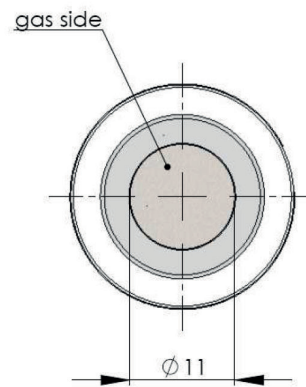
Sensor	Part number	Color of Housing	Electrical Pin Assignment	
			Pin 1	Pin 2
D-11K	410061	white	minus (-)	plus (+)

Top View

Electrical Connector: SMB-Print-Install plug for RG 174/4, ES1-L174



Bottom View



Front View



Tolerance Diameter $\pm 0,3\text{mm}$, Tolerance Linear $\pm 0,5\text{mm}$, Dimension unit: metric

www.nrc-international.com



NRC International GmbH

Stentenberg Str. 63
D-51702 Bergneustadt

Phone +49(0)2261-500414
Fax +49(0)2261-500415

info@nrc-international.com