

Technical Drawing of:

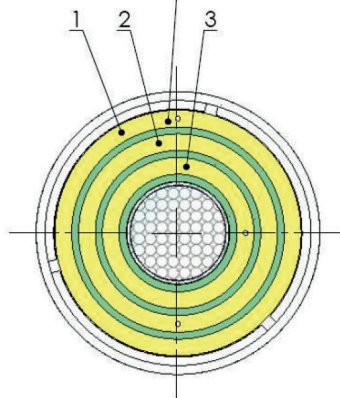
O₂ - Diving Sensors

TECHNICAL DRAWING

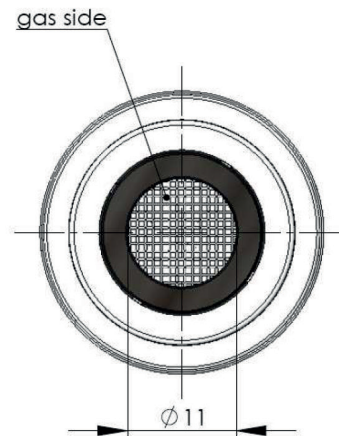
Sensor	Part number	Color of Housing	Electrical Slip Ring Assignment		
			Slip Ring 1	Slip Ring 2	Slip Ring 3
D-02	410052	white	plus (+)	plus (+)	minus (-)
D-06	410056	white	plus (+)	plus (+)	minus (-)

Top View

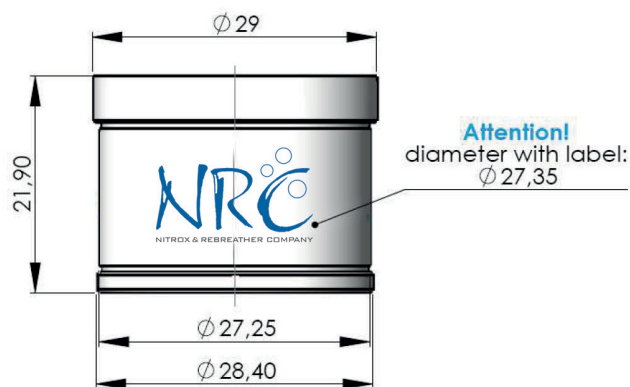
Electrical Connector: ring circuit board with three gold-plated slip rings



Bottom View



Front View



Tolerance Diameter $\pm 0,3\text{mm}$, Tolerance Linear $\pm 0,5\text{mm}$, Dimension unit: metric

www.nrc-international.com



NRC International GmbH

Stentenberg Str. 63
D-51702 Bergneustadt

Phone +49(0)2261-500414
Fax +49(0)2261-500415

info@nrc-international.com