

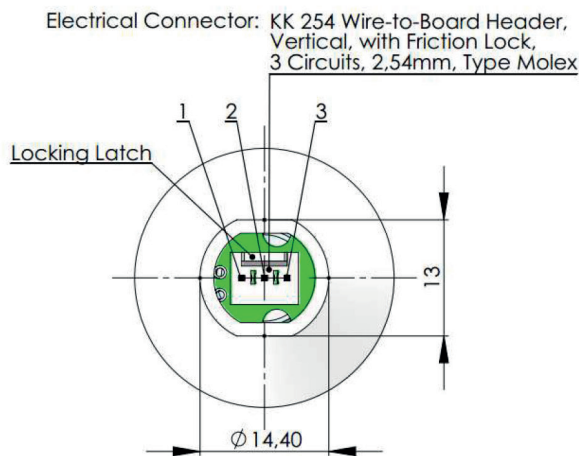
Technical Drawing of:

O₂ - Diving Sensor D-05R

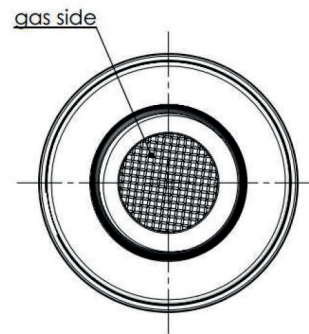
TECHNICAL DRAWING

Sensors with same dimensions	Part number	Color			Electrical Pin Assignment		
		Cap	Housing	Threaded Ring	Pin 1	Pin 2	Pin 3
D-05R	410255	white	white	white	minus (-)	minus (-)	plus (+)

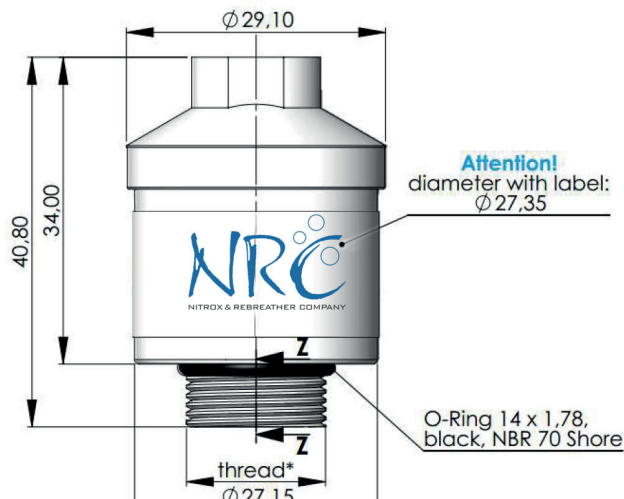
Top View



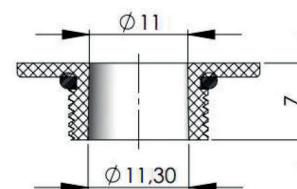
Bottom View



Front View



Section View Z-Z



*thread is similar to M16x1 and 5/8-24 UNEF

Tolerance Diameter $\pm 0,3\text{mm}$, Tolerance Linear $\pm 0,5\text{mm}$, Dimension unit: metric

www.nrc-international.com



NRC International GmbH

Stentenberg Str. 63
D-51702 Bergneustadt

Phone +49(0)2261-500414
Fax +49(0)2261-500415

info@nrc-international.com